

**PALLMANN**

TOP PERFORMANCE IN SIZE REDUCTION



# Pallmann MDF

Modernisation Solutions for Pressurized Refiner PR

Modernisation and  
Retrofit solutions



## A product is only as good as its service

---

During the entire lifetime of the machines and systems, Pallmann supports its customers with an efficient service concept. The result: Increased capacity, less downtime and long-term competitiveness.

Pallmann's service concept is based on a best possible combination of high-quality and high-performance machines and systems with the associated service and the supply of Pallmann wear parts in "proven quality".

The Pallmann Service Center offers a wide range of product-related services for the machines. In order to be able to supply these services, we have consequently further developed ourselves from purely being a machine- and system manufacturer to being a supplier for integrated and intelligent service solutions. All of our employees think and act customer-oriented.

### The Repair Center: Tailor-made machine service

The robust Pallmann machines work reliably for decades without any complaints. Should something break down or should the machine need reconditioning we offer diverse repair concepts. After an evaluation we work out a detailed repair- and cost concept and also offer you additional modernization possibilities. In the event of damage we react flexibly and quickly in order to minimize expensive downtime. We also offer these services for size reduction machines from other manufacturers.



Top:  
Modernization of a impact hammer mill



Top left:  
Rotor exchange

Left:  
Repair of wear parts



Warehouse for wear parts



Hard facing hammer mill rotor

### Our services in case of repair

- Repair and reconditioning of complete machines and single components in proven Pallmann quality
- Development of repair concepts and a cost plan
- Presentation and design of modernisation- and optimization possibilities
- Fast and flexible repair processing
- Refurbishment of worn machine areas with special wear protection measures

### Retrofit

Constant research and development lead to innovative machines and systems for size reduction technology. Pallmann products are continuously further developed and modernized. That does not only apply to the size reduction technology but also to single assemblies and components.

### Wear Parts

Competent contacts are available in our service sales department in order to supply you with high quality spare- and wear parts in proven Pallmann OEM quality. We offer technical and technological advice already with the processing of your inquiry – even on site in your company. Diverse size reduction tasks with specific requirements with regards to wear- and breakage resistance, and high durability ask for individual solutions which we would like to present to you. As the wear parts specialist, our service sales department also offers wear parts for size reduction machines from other manufacturers.

### Training

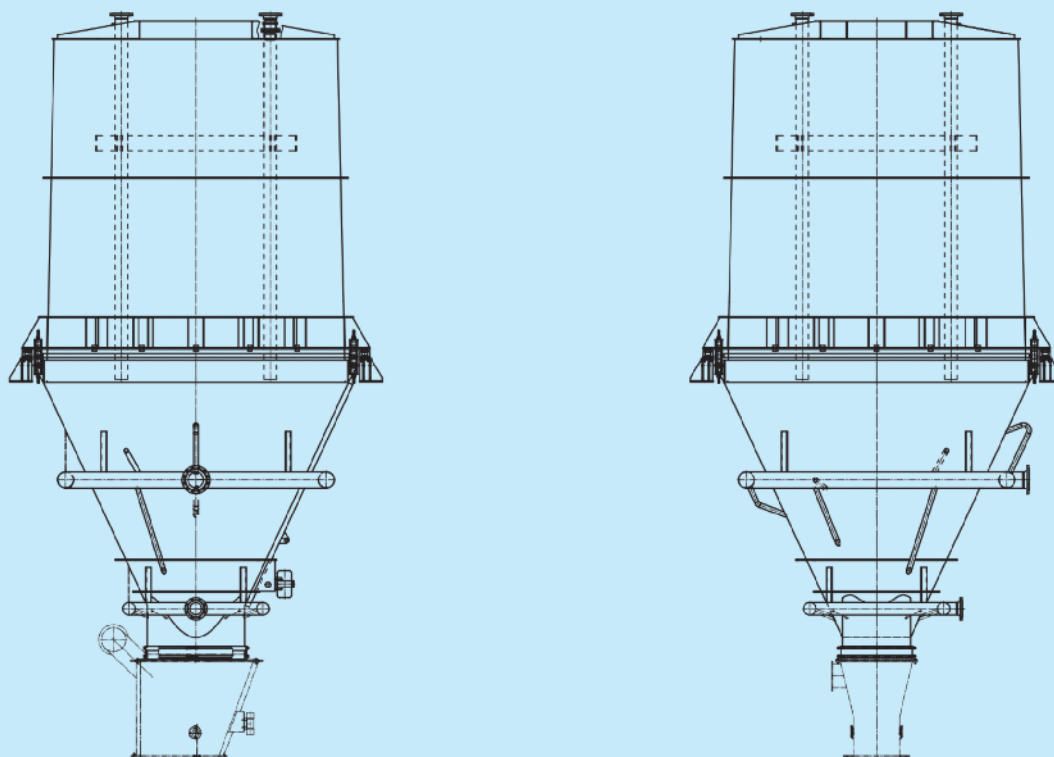
Not only is the quality of our products a guarantor for the successfully production at the customer. The proper handling of the Pallmann size reduction machines and systems and the accurate operation are also important factors. As we are aware of that, we internally offer training and instruction sessions for our products. The future operating personnel will be trained and instructed in the correct handling, the basic maintenance and repair as well as safety-relevant aspects.

### Service Team

The Pallmann Service team in the Service Center is the heart of our customer service activities. Experienced specialists give quick and competent advice concerning any questions regarding your size reduction requirement. The service team is your point of contact with reference to assembly, start-up, repair, operator training and maintenance concepts. The possibility to draw on a service team with more than 30 experienced installation and maintenance specialists, allows the Pallmann Service Center to react reliably and as quickly as possible to your demands.

> [service@pallmann.eu](mailto:service@pallmann.eu)





> Service-Center

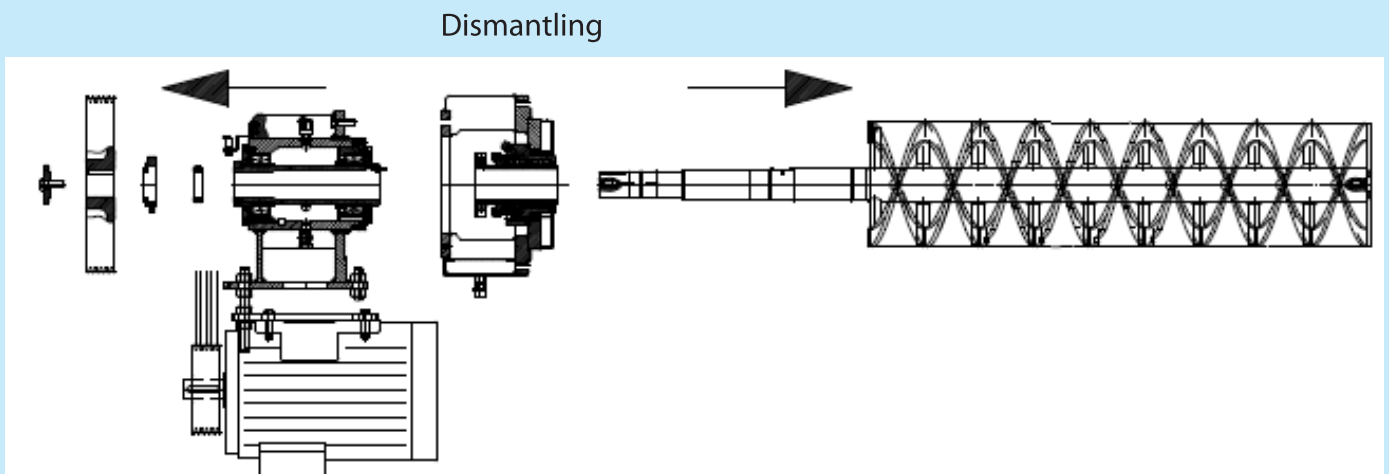
## Product catalogue

# MDF – High-Performance Chip Bunker

A high-performance chip bunker, which transports the most different feed materials trouble-free to the plug screw, is installed in front of the modern refiner plug screw assemblies.

The new high-performance chip bunker can be retrofitted to any Pallmann Refiner but can also be installed on machines from other manufacturers.

- ▶ Increased arrangement of the steam nozzles and more precise level monitoring for more effective presteaming of the wood chips
- ▶ Energy savings due to less boiling time of the wood chips
- ▶ Reduced bridging



> Service-Center

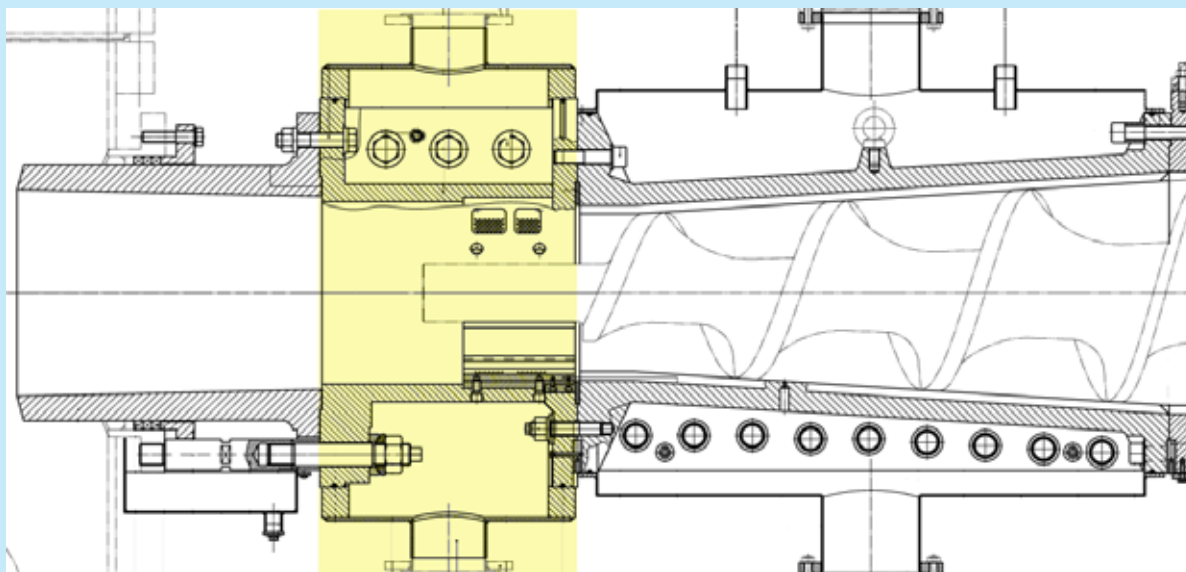
Product catalogue

## MDF – Feed Screw Bearing

The new refiner feed screw bearing system is designed in a very maintenance-friendly way. The bearing components, specifically the feed screw, can be exchanged in no time at all and thereby increases the availability of the system.

It is also possible with this design to provide the feed screw with a mechanical seal.

- ▶ Low downtimes
- ▶ Significantly increased system availability
- ▶ Available with mechanical seal
- ▶ Old feed screw can still be used



> Service-Center

Product catalogue

## MDF – Subsequent Dewatering Plug Screw

Plug screws can be equipped with a subsequent dewatering unit behind the drainage.  
Third party products can also be retrofitted with this type of dewatering unit.

- ▶ Payback after approx. 5 months
- ▶ Cost savings in downstream processes
- ▶ Saves dryer energy
- ▶ Additional energy savings at the main motor
- ▶ Low maintenance costs



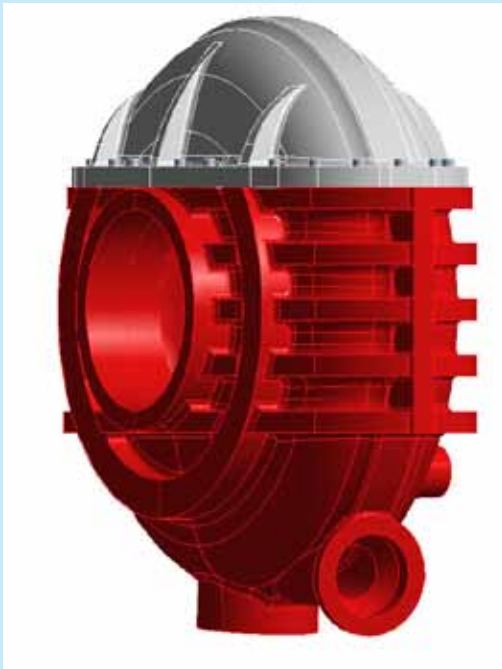
> Service-Center

Product catalogue

## MDF – EcoDrain Unit

The newly developed “EcoDrain Unit” allows the dewatering degree of wood chips in the plug screw to be increased. A newly designed dewatering zone allows for easy exchange of the wear parts.

- ▶ Payback after approx. 6 months
- ▶ All plug screw assemblies retrofittable
- ▶ Increased dewatering of the wood chips
- ▶ Energy savings in downstream processes
- ▶ Simple wear part exchange
- ▶ Low maintenance costs due to exchangeable wear parts



> Service-Center

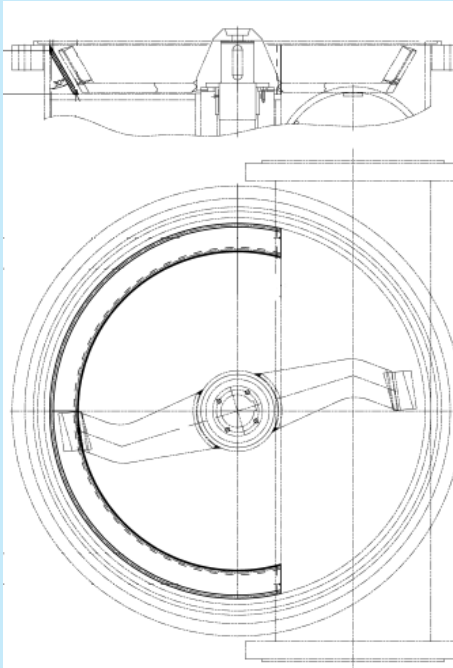
Product catalogue

## MDF – Flow-Optimized Grinding Chamber

The new grinding chamber generation is designed with tangential discharge. Flow- and strength-optimized for the production of wood fibers of constantly high quality.

- ▶ Constantly high calibrated fiber quality
- ▶ Energy saving due to optimized grinding chamber geometry and linear fiber discharge





> Service-Center

Product catalogue

## MDF – Agitator Design

---

The new agitator design benefits the material flow in the digester and improves the filling degree of the discharge screw.

- ▶ Reduced bridging in the digester
- ▶ Increased filling degree in the discharge screw
- ▶ Maintenance-friendly



> Service-Center

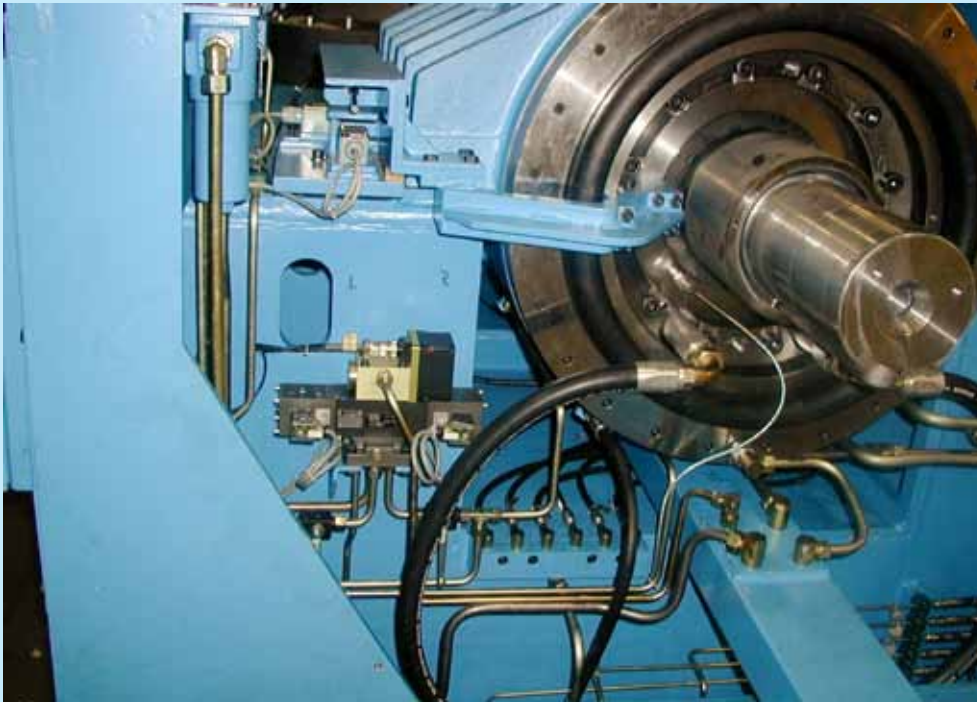
## Product catalogue

# MDF – Emergency Lubrication Refiner Main Bearing

Emergency lubrication is a safety device which kicks in case of a complete failure of the power supply. It also ensures that the refiner main bearing is continually supplied with lubricant providing that the bearing is effectively protected against any damage due to inadequate lubrication.

This retrofit unit mainly consists of one or more pumps, the flow meter and a drive unit for connection with the powertrain of the refiner.

- ▶ Protection against inadequate lubrication and severe bearing damage
- ▶ Reliable lubrication as long as the powertrain turns



> Service-Center

Product catalogue

## MDF – Optimized Grinding Gap Adjustment

The retrofitable optimized grinding gap adjustment for Pallmann Refiner Systems, type PR is software controlled. The grinding gap adjustment is installed operator-friendly at the rear of the main bearing of the refiner.

This retrofit unit consists primarily of the control valve and a measuring device.

- ▶ Less components therefore less spare parts requirements
- ▶ Low operating- and maintenance costs
- ▶ Can be controlled to one hundredth of a millimeter
- ▶ Unsusceptible to malfunction

# PALLMANN

TOP PERFORMANCE IN SIZE REDUCTION

## Engineering and Service:

- Spare and wear parts for size reduction machines in PALLMANN quality
- Installation, commissioning, maintenance and repair service
- Operator training
- Technological training
- Retrofit and modernisation
- Warehouse stocking programmes and logistic concepts



PALLMANN Maschinenfabrik GmbH & Co. KG  
Wolfslochstr. 51  
66482 Zweibrücken  
Germany  
Phone +49 6332 802 0  
Fax +49 6332 802 531  
E-Mail: [service@pallmann.eu](mailto:service@pallmann.eu)  
[www.pallmann.eu](http://www.pallmann.eu)



## PALLMANN

PALLMANN company is a leading manufacturer for size reduction machines and systems. PALLMANN Maschinenfabrik develops and manufactures machines and complete systems according to customer requirements or as standard solutions for the preparation of almost any material as well as recycling products. In its headquarters in Zweibrücken, PALLMANN operates one of the world's largest research and technology centers as well as a training- and service center. More than 100 different test machines are available for the preparation of a wide variety of materials. A downstream laboratory analysis of the test material as well as the preparation on a production scale is possible. In co-operation with the Siempelkamp group, Pallmann has worldwide production facilities. Our global presence is ensured by a co-ordinated sales network for machinery as well as spare parts and after-sales service.



> Member of Siempelkamp Group

Technical changes reserved. Photos and data are not binding.